

Atari Technical Bulletin
Number: TT30-0005
Date: April 2, 1992
Page 1 of 2

Product(s) Affected: TT030
Model: All
Type of ATB: As Needed
ECO #: 1428

Reason for ATB:

To reduce noise and jitter seen on the high resolution monitor.

Notes:

This problem only affects two main PCB FABs. They are as follows:

<u>FAB</u>	<u>REV</u>
C301763-001	D
C302406-001	A

Symptoms of Problem:

Video jitter on high resolution TT Monitor.

Solution:

1. Remove the top cover of the TT030.
2. Remove the VME Card Guide.
3. Locate the 8530 circuit. See Figure 1 on page 2.
4. Connect a 15pF capacitor from the left side of CD01 to the top left corner of the ground ring. See Figure 1 on page 2.
5. Re-assemble the unit.

Atari Technical Bulletin
Number: TT30-0005
Date: April 2, 1992
Page 2 of 2

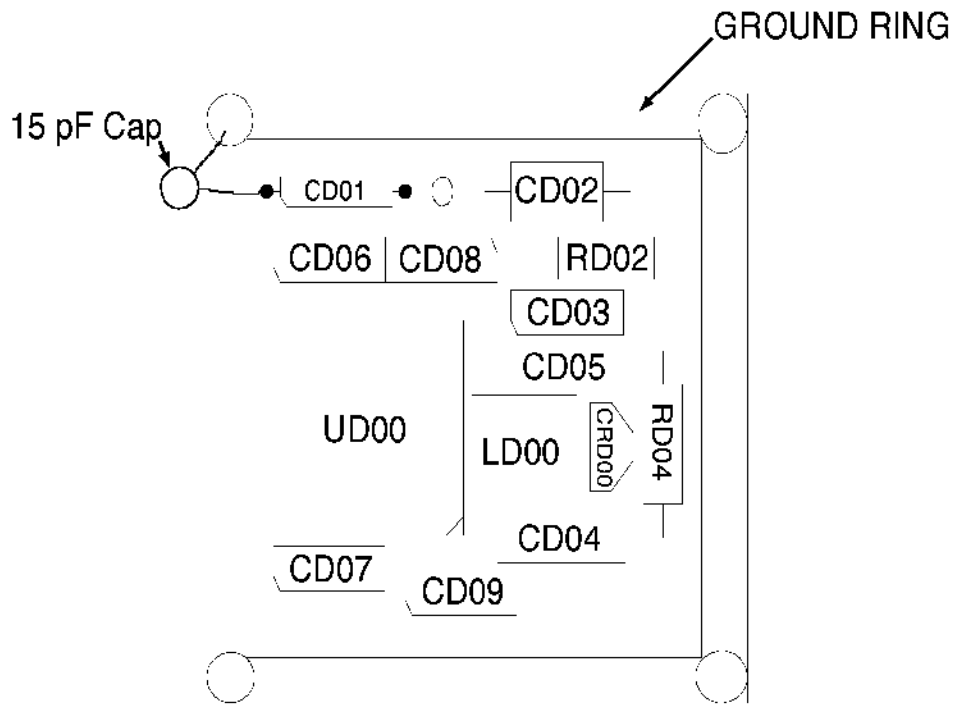


Figure 1